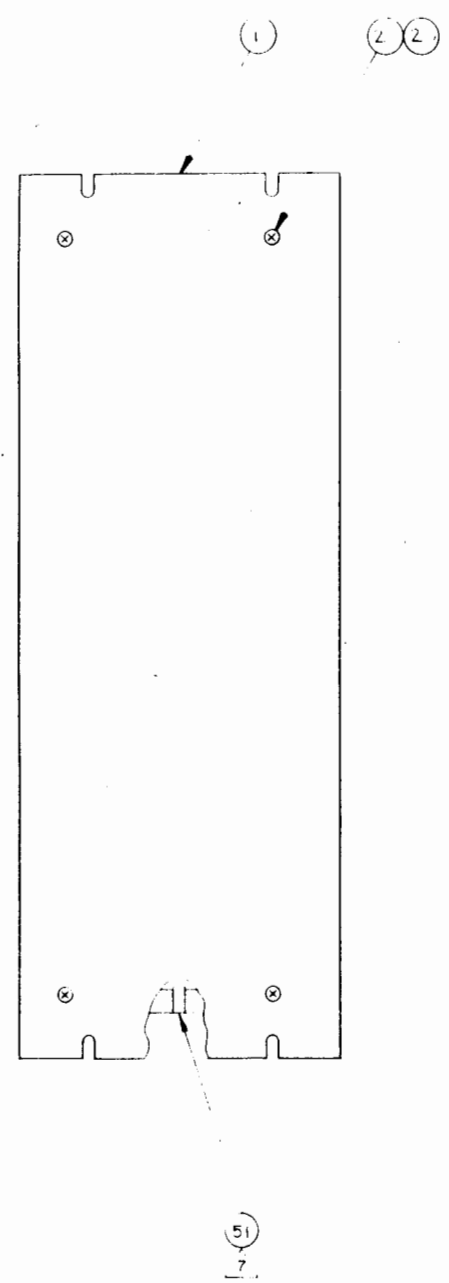
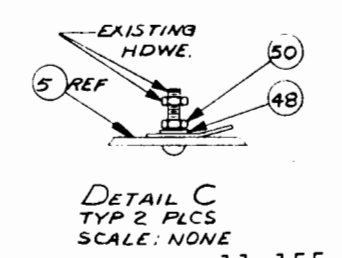
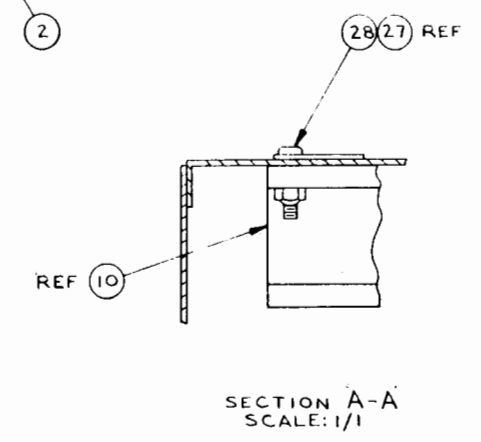
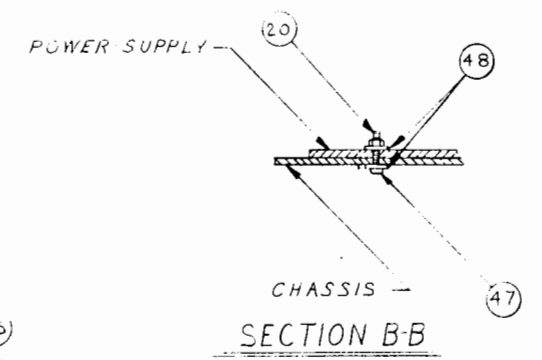
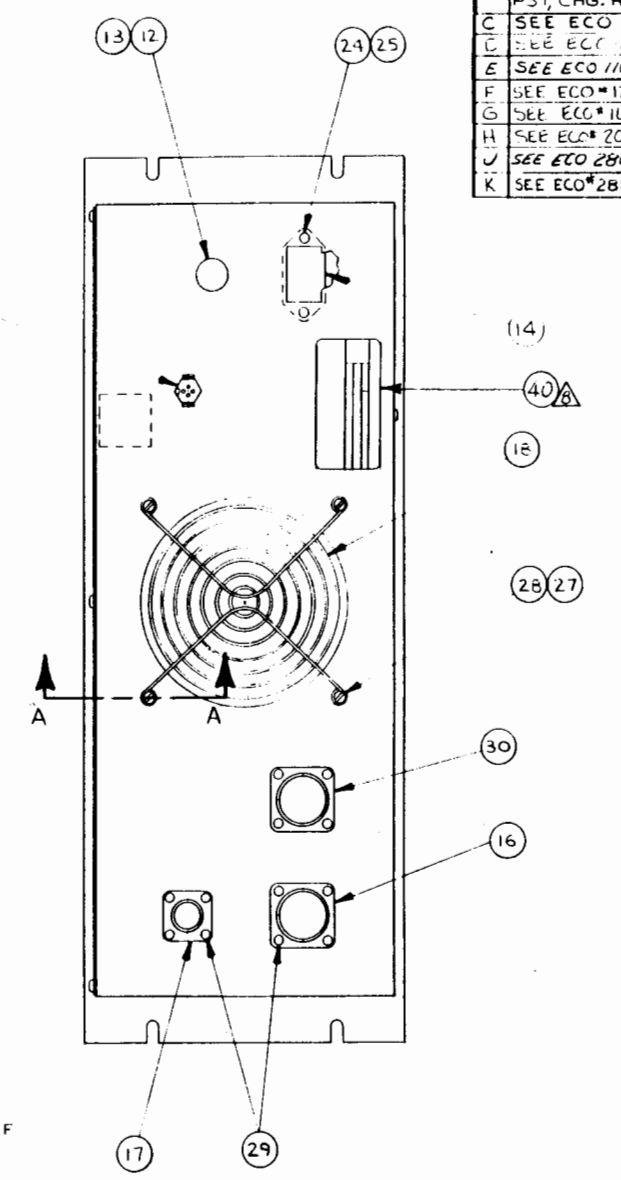
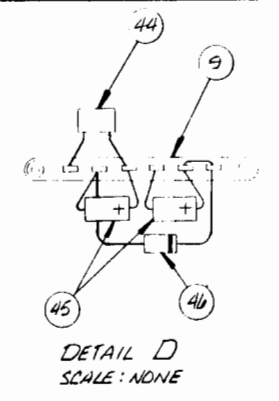
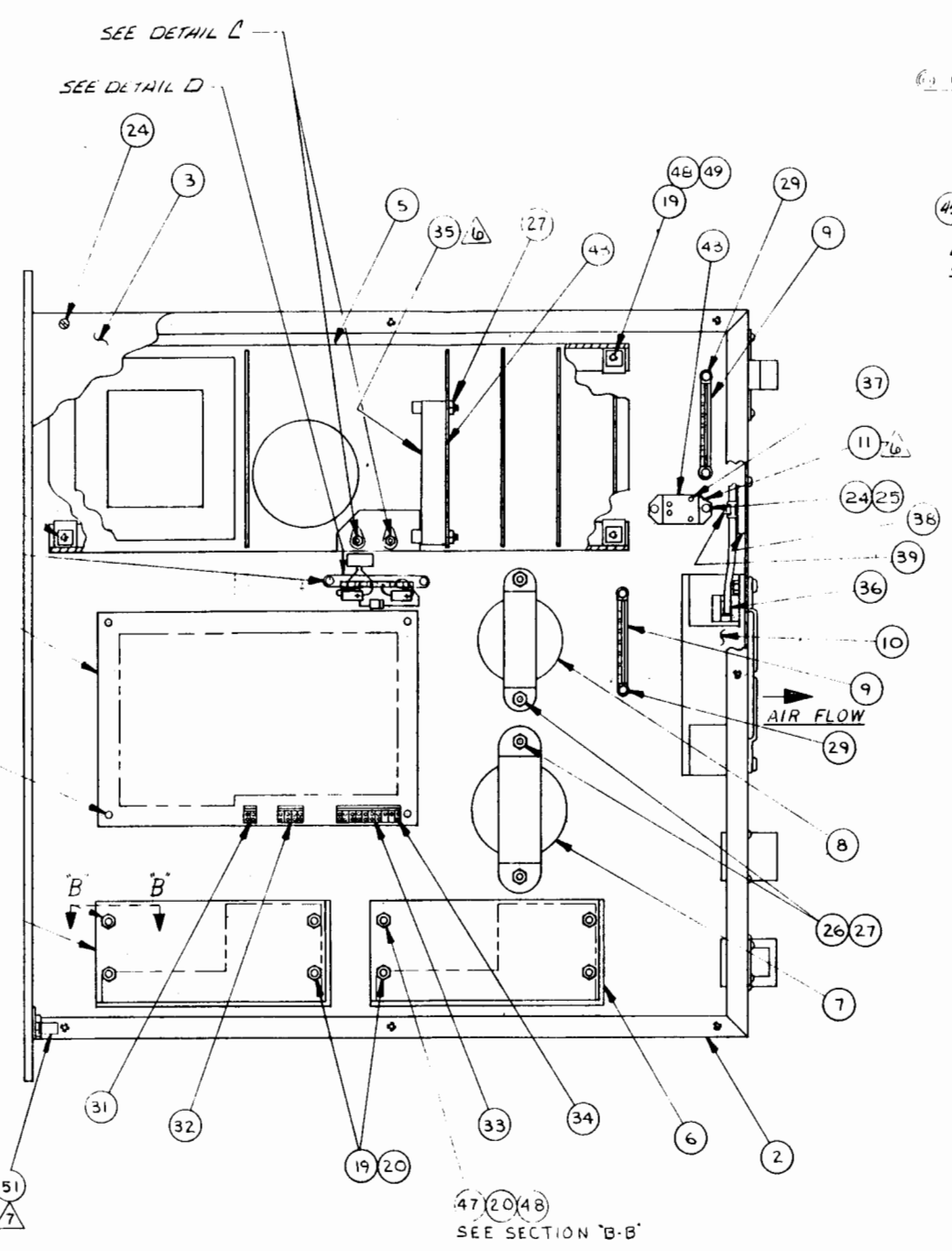


REVISION BLOCK	
REV.	DESCRIPTION
A	ADD NOTE 5, ADD SECTION B-B, ADD TERMINAL STRIP T53, 3 CAPACITORS C1,2,3, ADD AIRFLOW ARROW, UPDATE PARTS LIST
B	ADD NOTE 6, ADD ITEM 49 ON PSI, CHG. REF. NO.
C	SEE ECO 1025
D	SEE ECO 1031
E	SEE ECO 1164
F	SEE ECO 1260 M.I.
G	SEE ECO 1404 M.M.
H	SEE ECO 2000 M.M.
J	SEE ECO 2800
K	SEE ECO 2880 F.W.



471948  
LOCATE (18) ON FAR SIDE  
OF CHASSIS

4712048  
SEE SECTION B-B

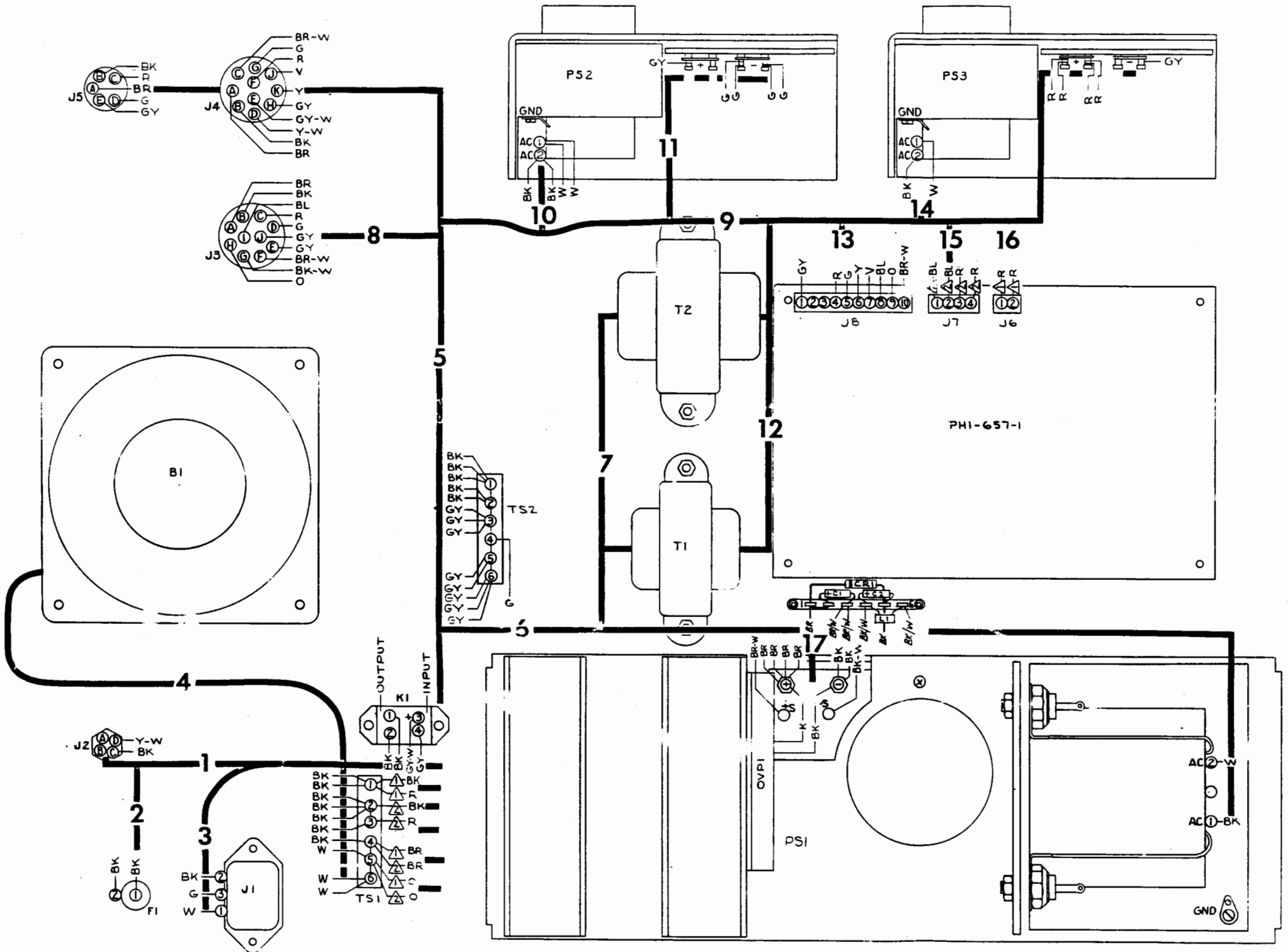


- NOTE:
- SEE SEPARATE PARTS LIST.
  - FOR SCHEMATIC DIAGRAM SEE DWG. U02020
  - FOR WIRING DIAGRAM SEE DWG. U01963
  - FOR BLOCK DIAGRAM SEE DWG. 11-155 20.
  - REMOVE THE DIMENSION BETWEEN PARTS 47 AND 48 ON P24.
  - USE HEATSINK COMPOUND ITEM (43) ON ITEMS (11) & (35)
  - INSTALL ITEM (51) ON EACH SIDE OF FRONT PANEL AS SHOWN.
  - MARK APPLICABLE INFORMATION ON I.D. LABEL, ITEM 40, PER ENG SPEC 603328 AND AFFIX APPROX AS SHOWN. (UNIT I.D. N<sup>o</sup> AS).

11-155 8/18/81  
SEE DETACHED PARTS LIST

MATERIAL:		PHYSICAL ELECTRONICS INDUSTRIES INC.	
FINISH:		8000 FLYING CLOUD DRIVE EDEN PRAIRIE, MINN. 56343	
DRN. D. SCHROEDER	DATE 11-9-76	SCALE 1/2	REV K
CKD.			
APP'D.			
11-155	TOL. UNLESS OTHERWISE NOTED:	TITLE UNIT ASSY-POWER SUPPLY	DRAWING NO. 179137
NEXT ASSY. USED ON	PROPOSED ORIGINALS		

REVISION BLOCK		
REV	DESCRIPTION	DATE
A	SUPERSEDES 11-155-41 PER ECO# 1004 MM	3-77-82
B	SEE ECO# 2000 MM	1-20
C	SEE ECO 2374 JJ	GT
D	SEE ECO# 2880 FW	8-28-81
E	SEE ECO 3258 WAM	4-22-82

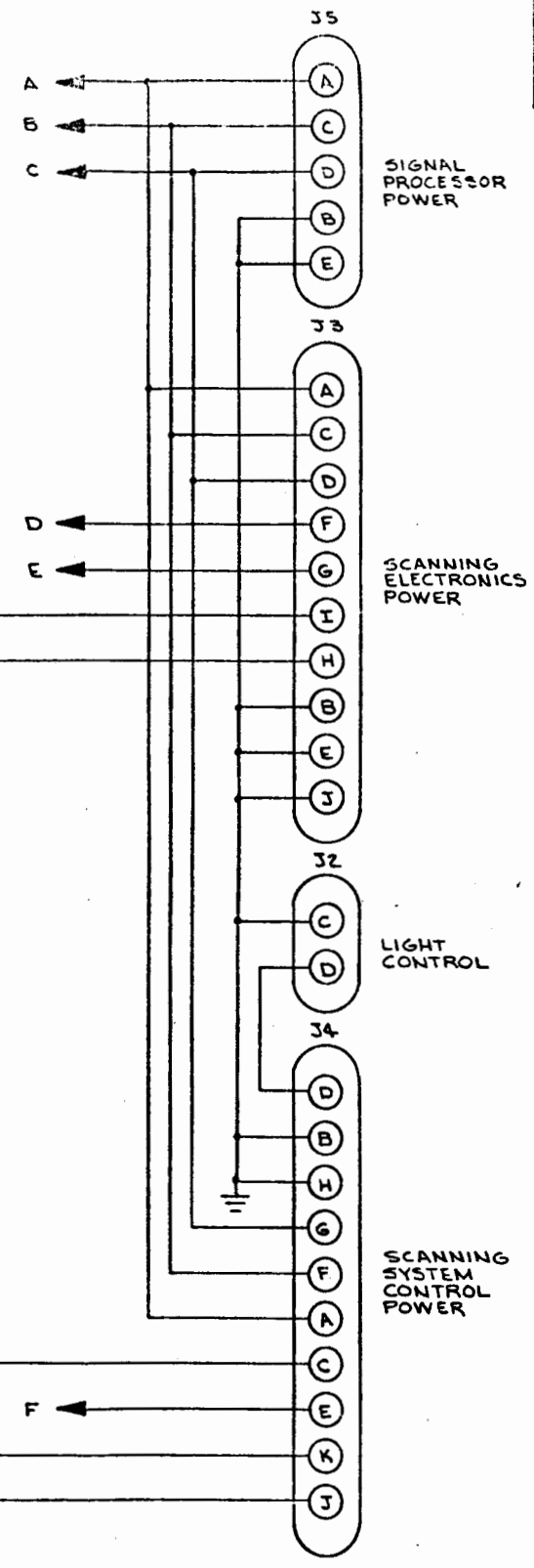
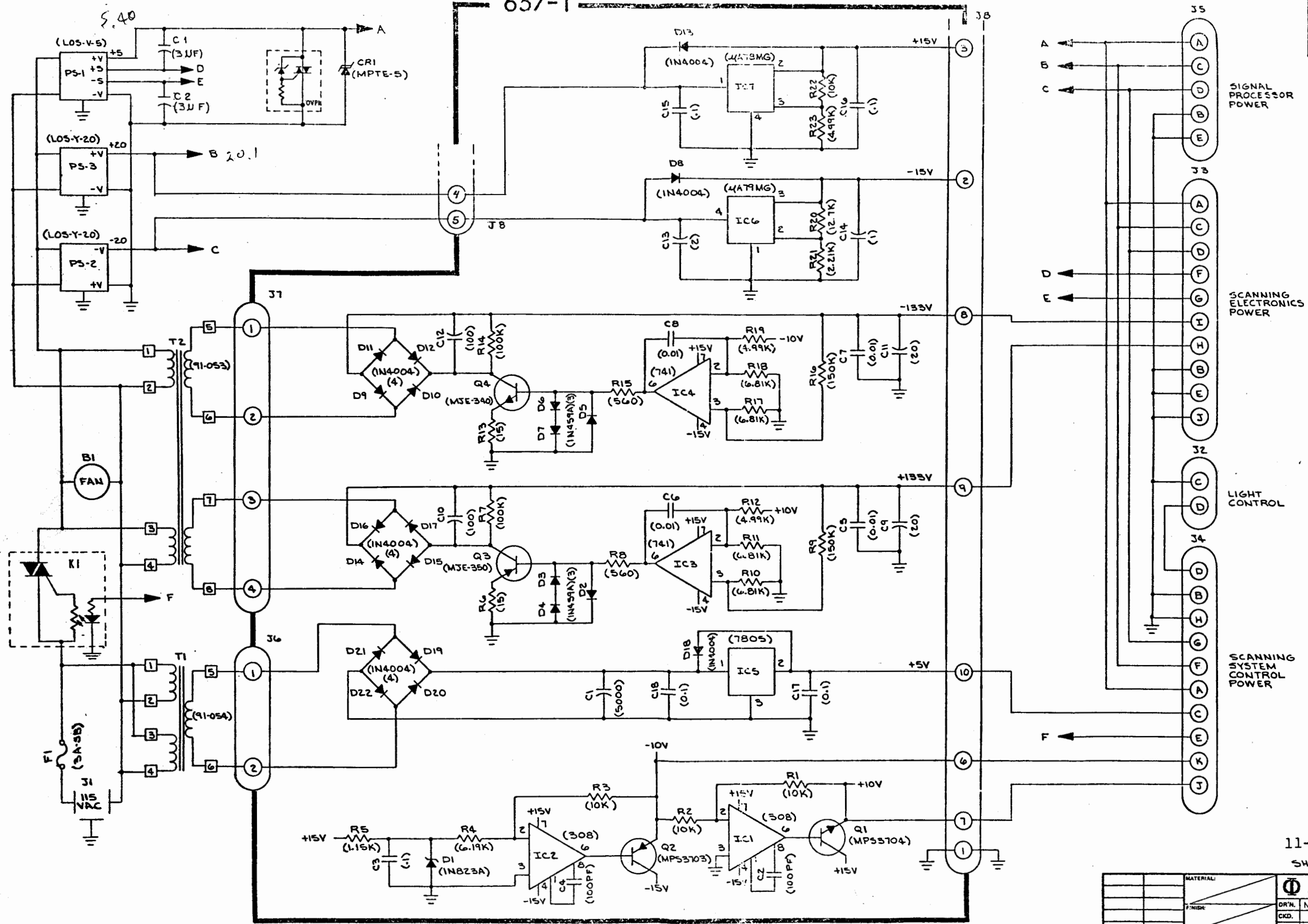


11-155 4-20-82  
 SEE DETACHED PARTS LIST  
 SEE DETACHED WIRE DATA LIST

MATERIAL	PHYSICAL ELECTRONICS INDUSTRIES INC.	
FINISH:	0000 FLYING CLOUT DRIVE EDEN PRAMIE, MINN. 55423	
DR'N.	F. WALDON	DATE 8-28-81 SCALE
CKD.		REV E
APP'D.		
TITLE	WIRING HARNESS- POWER SUPPLY, 11-155	DRAWING NO. 601963
NEXT ASSY. USED ON		

REVISION BLOCK		
REV.	DESCRIPTION	DATE
A	SUPPLEMENTED FROM ORIGINAL PER ECR 1004	MM

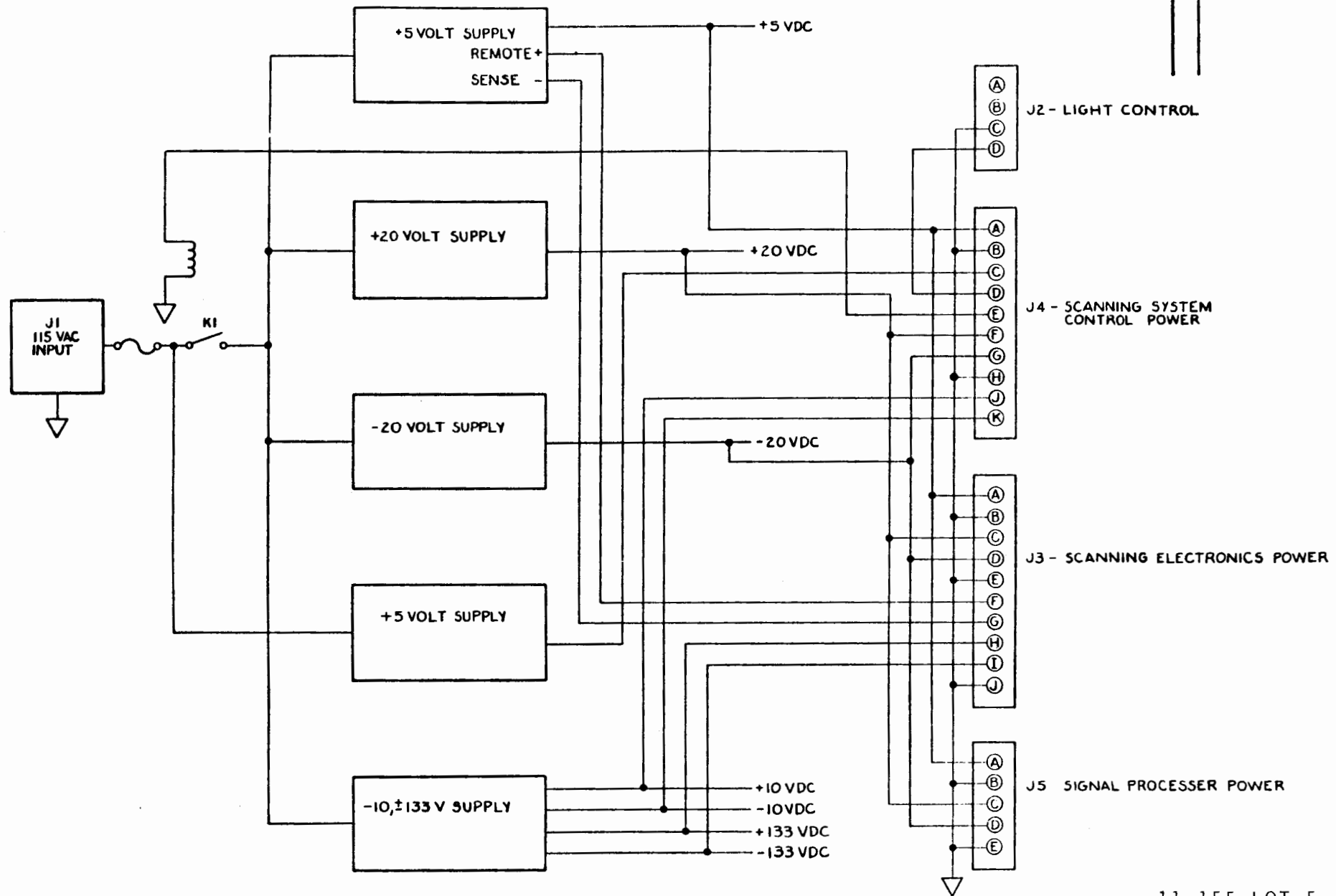
657-1



11-155 12-15-80  
SHEET 1 OF 1

MATERIAL:		PHYSICAL ELECTRONICS INDUSTRIES INC.	
7-INCH:		8000 FLYING CLOUD DRIVE EDEN PRAIRIE, MINN. 55347	
DR'N.	M. Morris	DATE	5-21-80
CKD.		SCALE	
APP'D.		REV.	A
11-155	TOL. UNLESS OTHERWISE NOTED	TITLE	SCHEMATIC -
NEXT ASSY. USED ON	FUNCTIONAL	FUNCTIONAL	11-155
		DRAWING NO.	502020

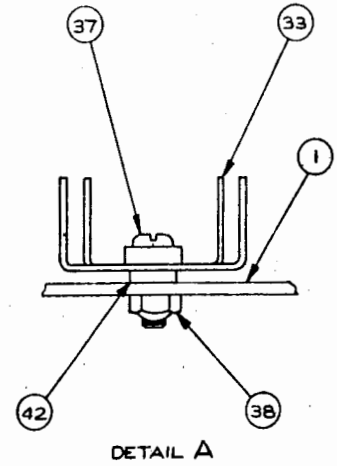
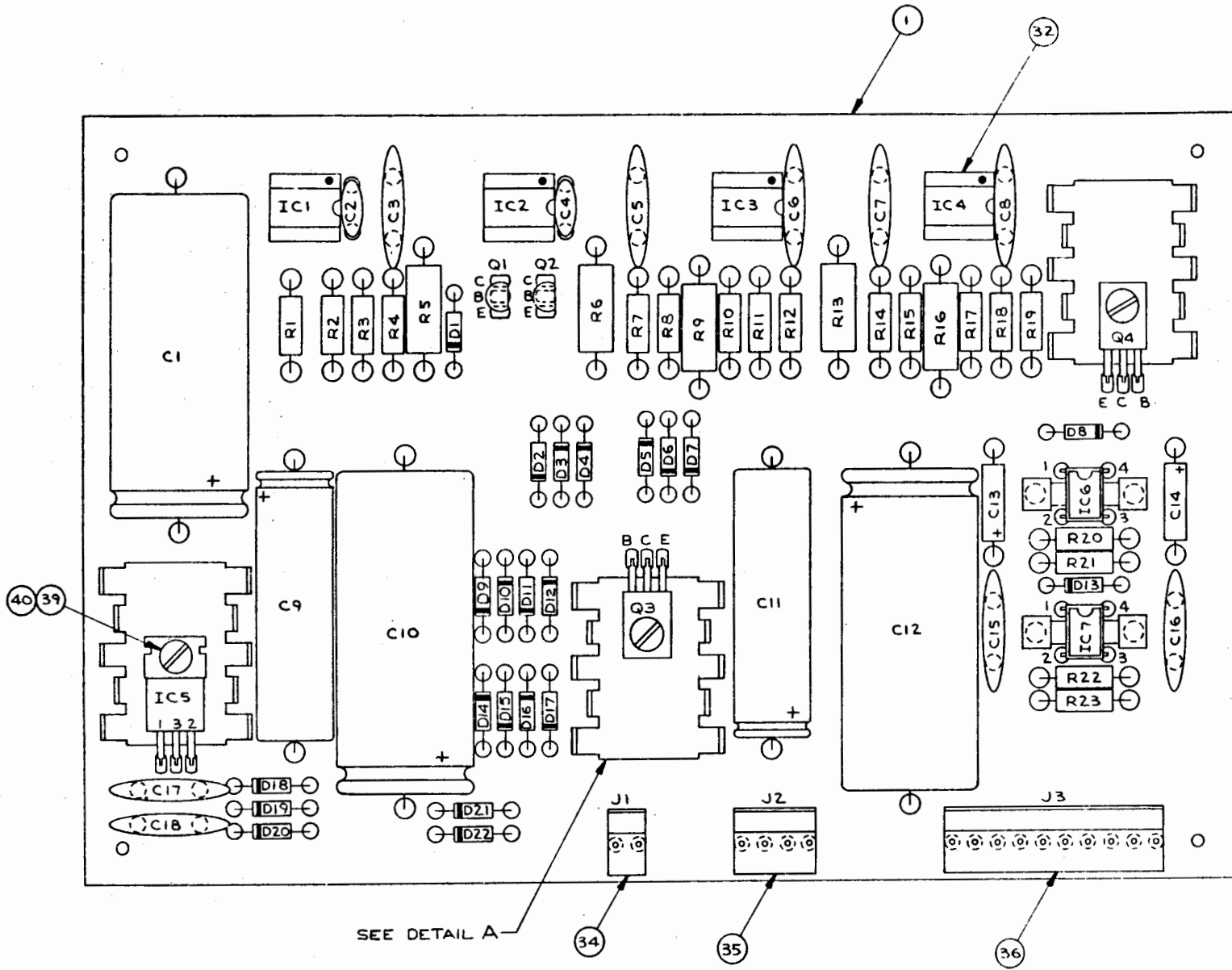
REVISION BLOCK		
REV.	DESCRIPTION	DATE



11-155 LOT 5

MATERIAL:		PHYSICAL ELECTRONICS INDUSTRIES INC.	
FINISH:		8008 FLYING CLOUD DRIVE 1 DEN PRAIRIE, MINN. 55243	
DR'N. D. SCHROEDER	DATE 11-16 71	SCALE	
CKD.		REV.	
APP'D.			
TITLE: BLOCK DIAGRAM		DRAWING NO. 11-155-30	
NEXT ASY. USED ON			

REV.	DESCRIPTION	DATE
D	SEE ECO 1031	WAD



DETAIL A

SEE DETAIL A

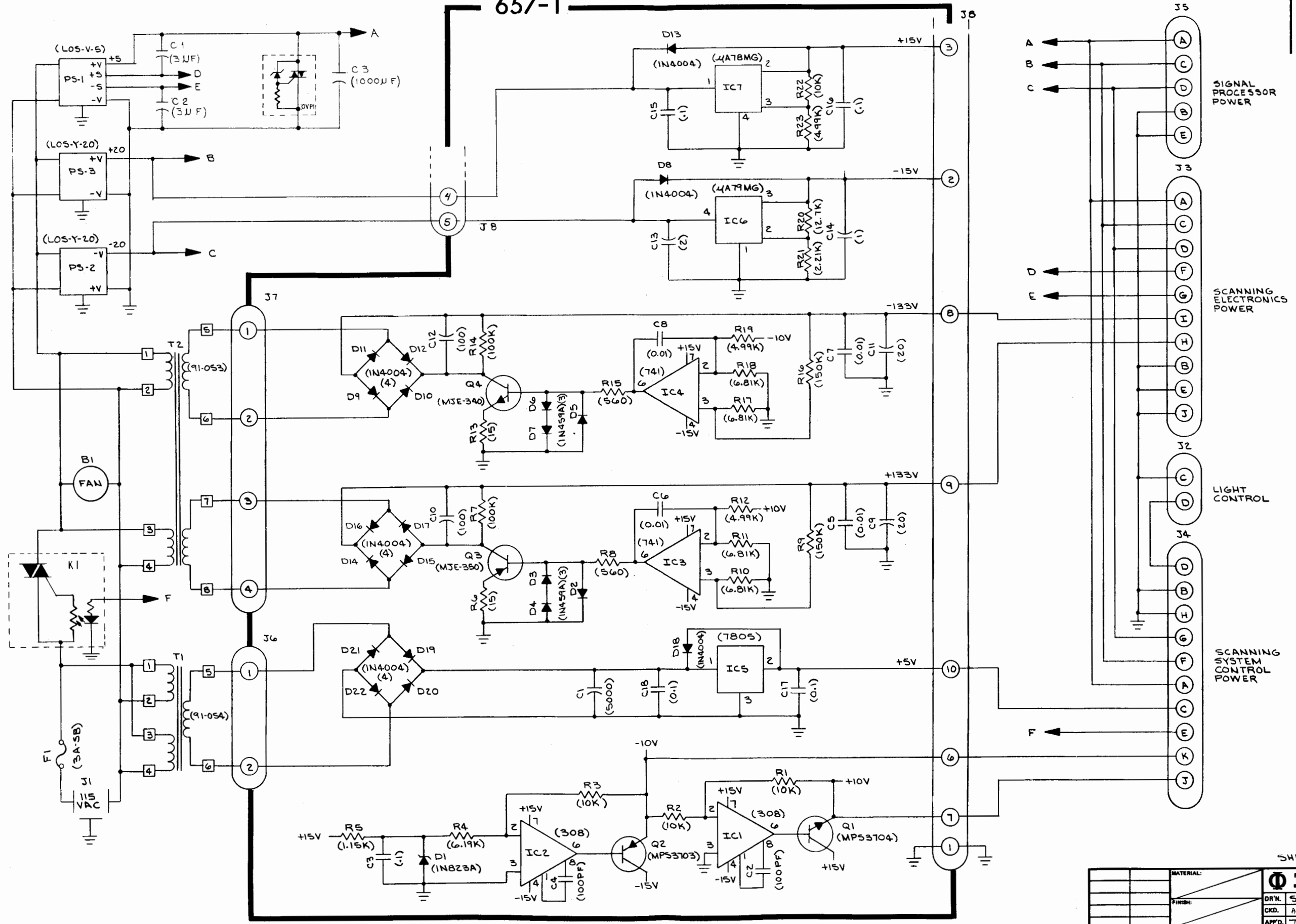
NOTE:  
 1. SEE SEPARATE PARTS LIST.  
 2. FOR SCHEMATIC DIAGRAM SEE DWG. 11-155-50.  
 3. ● REFERS TO PIN 1.

11-155 11/13/79

MATERIAL:		PHYSICAL ELECTRONICS INDUSTRIES INC. 8008 FLYING CLOUD DRIVE EDEN PRAIRIE, MINN. 55343	
FINISH:		DRN. D. SCHROEDER	SCALE 2/1
DATE 11-16-76		CKD. [Signature]	REV. D
APPD. [Signature]		TITLE BOARD ASSY -	DRAWING NO. PHI-657-1
NEXT ASSY. USED ON		SUPPLY	

657-1

REVISION BLOCK		
REV.	DESCRIPTION	DATE



SHEET 1 OF 1 11-155 LOT 4

MATERIAL:		PHYSICAL ELECTRONICS INDUSTRIES INC.	
FINISH:		5800 FLYING CLOUD DRIVE EDEN PRAIRIE, MINN. 56343	
DR'N. S. JOHNSON	DATE 5-13-77	SCALE	
CKD. AVDS	5-19-77	REV.	
APP'D. T. NEMMEN	6-8-77	TITLE	FUNCTIONAL SCHEMATIC
DRAWING NO. 11-155-50			