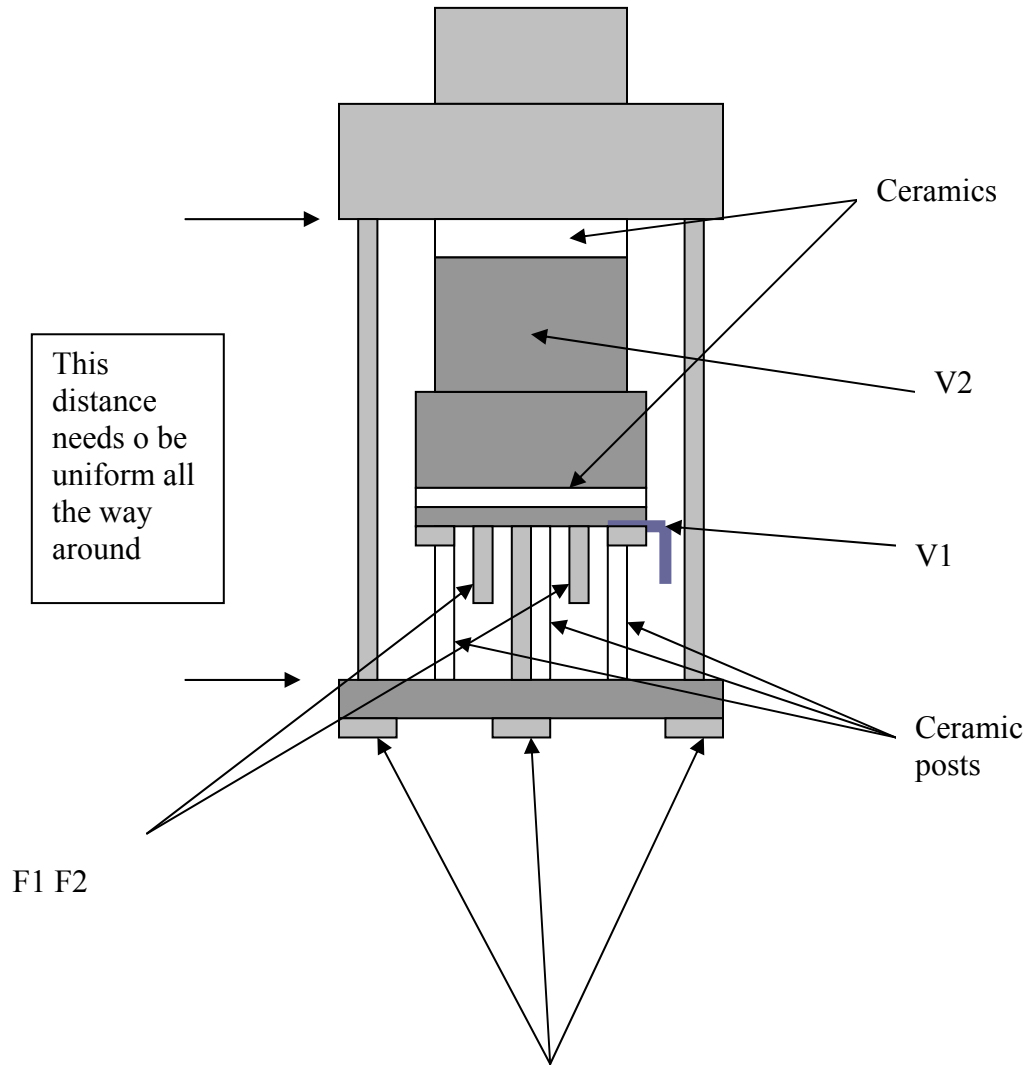


10-155 Electron Gun Detail



These screws hold the gun assembly together. It is stacked on the ceramics. Tighten it up, but not too much. All 3 screws should have the same distance with-in .001".